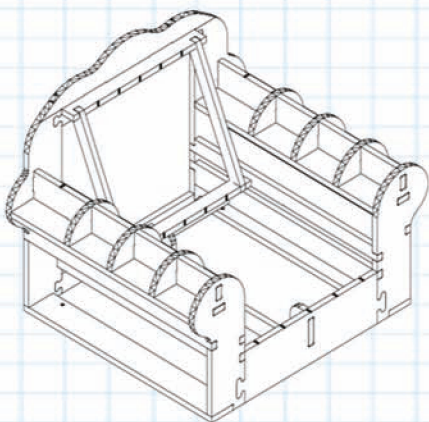


# Construction Specs

[www.cselect.net](http://www.cselect.net)



CSelect's **Pass Thru-Decking** delivers easy maintenance without affecting outward appearance. **Pass Thru Decking** maximizes convenience and minimizes maintenance. Cell phones, pens, keys, all **Pass Thru-** as would liquid of a barrier fabric is used. Add to that, only staff will ever know. CSelect's **Pass Thru-Decking** does not affect the outward appearance of the upholstered piece.



**Seat Cushions:** Constructed of 1.8lbs density, 36ILD polyurethane core wrapped in a 1-1/4oz fiber. Cased in clemcloth ticking. Cushion tops are mirror of bottoms permitting a (preferred) rotation. All construction meets TB 117

**Seat Deck:** Spring up is separate from the cushions with a triple overlay consisting of polyester non-woven fabric, then polyester deck pad, then polyester deck denim all meeting TB117.

**Inside & Outside Arm:** Each consists of 1.5lbs Density 24 ILD wrap to meet TB 117, and is covered in a heavy duty .085g cardboard.

**Frame:** 7/8" Hardwood plywood are picture puzzle pieced, CNC router cut and interlocking. Critical areas are reinforced with 4/4 Kiln dried hardwood blocks. Adhesives are water based PVA type. Springs are continuous regular loop type, and run from inside arm to inside arm, then tied and connected with insulated clips/wire for uniform support.